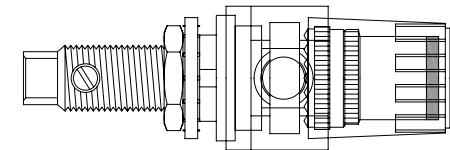
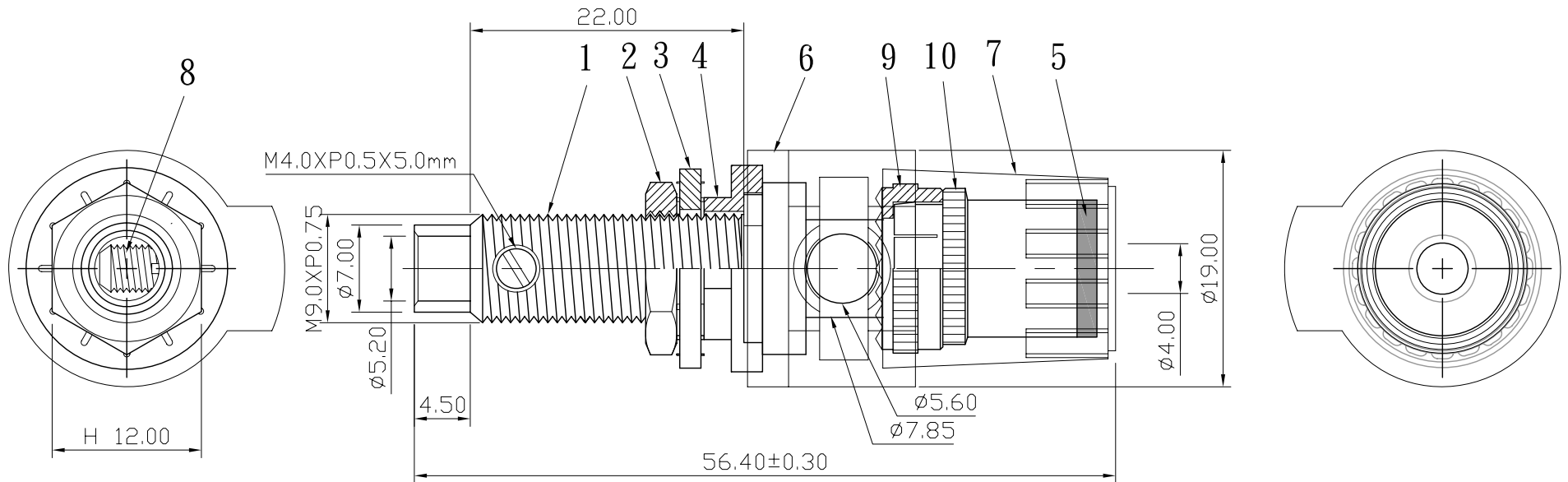


REMARK : RoHS REQUIREMENT APPLIED
(符合RoHS)



S 1 : 1

10	sleeve	1	brass	gold	
9	gasket	1	brass	gold	
8	screw	1	brass	gold	SCREW-104G-M4XP0.5X5.0mm
7	shell	1	亞克力耐衝擊 (PMMA) MITSUBISHI (IRD70)	transparent	
6	shell	1	亞克力耐衝擊 (PMMA) MITSUBISHI (IRD70)	transparent	
5	color ring	1	PE 207	red/black/white	
4	washer	1	PA66 nylon	red/black/white	
3	washer	1	PA66 nylon	red/black/white	
2	nut	1	brass	gold	
1	body	1	brass	gold	
NO.	Description	Unit	Materials	Finish	Drawing No.

DIMENSIONS ARE IN
MILLIMETERS

UNLESS OTHERWISE SPECIFIED
TOLERANCES
(一般公差)

0.5~6 = ±0.2
>6~30 = ±0.4
>30~120 = ±0.6
>120~315 = ±1
>315~1000 = ±1.6

ANGLES(角度) = ±5°

APPROVED

CHECKED

DRAWN

Lala

DATE

2008. 01. 17



雅鈦企業有限公司
Aec Connectors Co., Ltd.

TITLE

BINDING POST

DRAWING NO.

BI-204RD/BK/WEPLG-RD/BK/WE-20mm

FILE NO. DRAWING\AUDIO\BINBI-204RD/BK/WEPLG-RD/BK/WE-20mm

SCALE 2 : 1 UNIT MM