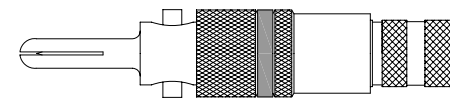
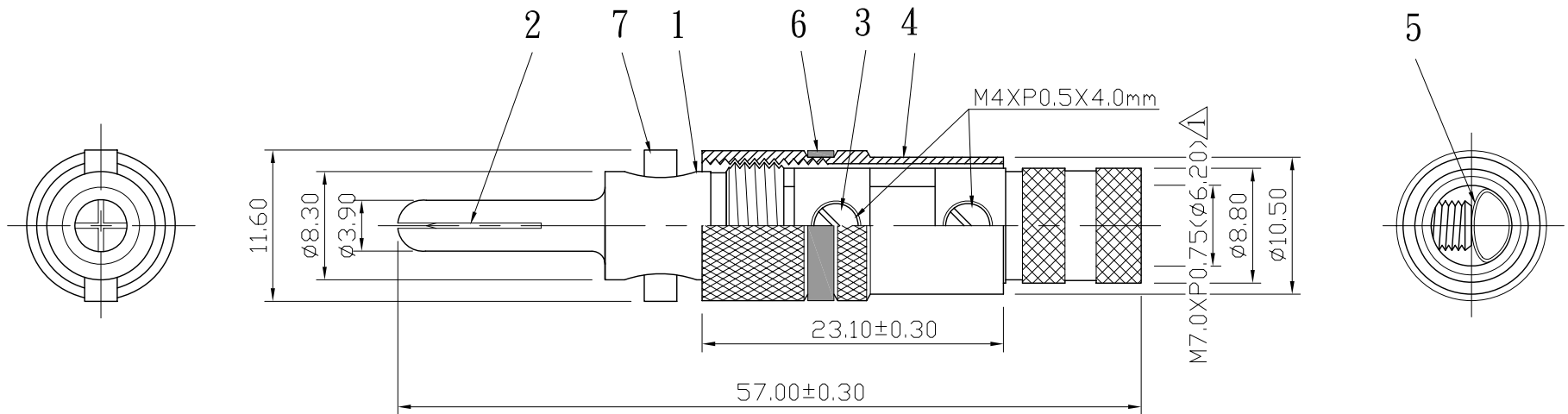



No.	DATE	DESCRIPTION	REV
△	2009. 05. 19	Original dimention □6.20	A



S1:1

7	cleat	1	brass	gold		DIMENSIONS ARE IN MILLIMETERS  UNLESS OTHRWISE PECIFIED TOLERANCES (一般公差) 0.5~6 = ±0.2 >6~30 = ±0.4 >30~120 = ±0.6 >120~315 = ±1 >315~1000 = ±1.6 ANGLES(角度) = ±5°	APPROVED	 雅鈦企業有限公司 Aec Connectors Co., Ltd.	
6	color ring	1	pvc	red/black/white			CHECKED		TITLE
5	sleeve	1	pvc	white			DRAWN		BANANA PLUG
4	shell	1	brass	chrome			<i>Lala</i>	DRAWING NO.	
3	screw	2	brass	gold	SCREW-104G-M4XP0.5X4.0mm			DATE	BP-106CG-RD/BK/WE-6.2
2	contact	1	brass	gold			2007. 11. 28	FILE NO.	DRAWING\AUDIO\BP\BP-106CG-RD/BK/WE-6.2
1	body	1	brass	gold					
NO.	Description	Unit	Materials	Finish	Drawing No.	SCALE	2 : 1	UNIT	MM