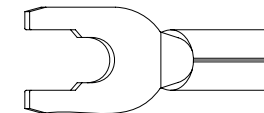
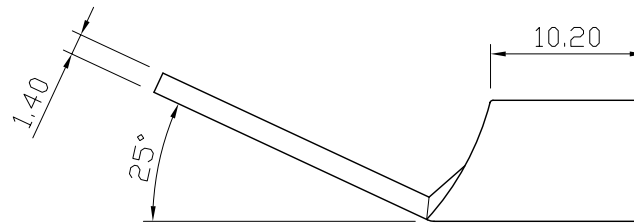
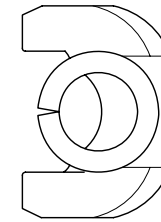
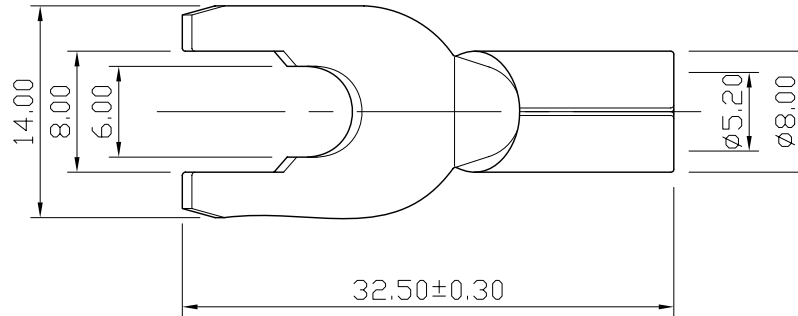
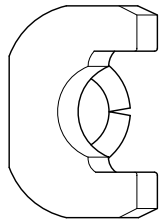



REMARK : RoHS REQUIREMENT APPLIED  
(符合RoHS)



S 1 : 1

7						DIMENSIONS ARE IN MILLIMETERS  UNLESS OTHERWISE PECIFIED TOLERANCES (一般公差) 0.5~6 = ±0.2 >6~30 = ±0.4 >30~120 = ±0.6 >120~315 = ±1 >315~1000 = ±1.6 ANGLES(角度) = ±5°	APPROVED	 雅鈦企業有限公司 Aec Connectors Co., Ltd.	
6					CHECKED		TITLE		
5							DRAWN	CABLE TERMINAL	
4							<i>Lala</i>	DRAWING NO.	
3							DATE	CT-265G-8.0-25-5.2	
2							2007. 08. 22	FILE NO.	
1	body	1	copper alloy	gold				DRAWING\AUDIO\CTCT-265G-8.0-25-5.2	
NO.	Description	Unit	Materials	Finish	Drawing No.	SCALE	2 : 1	UNIT	MM