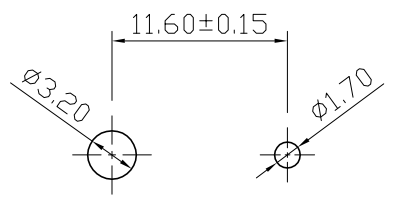
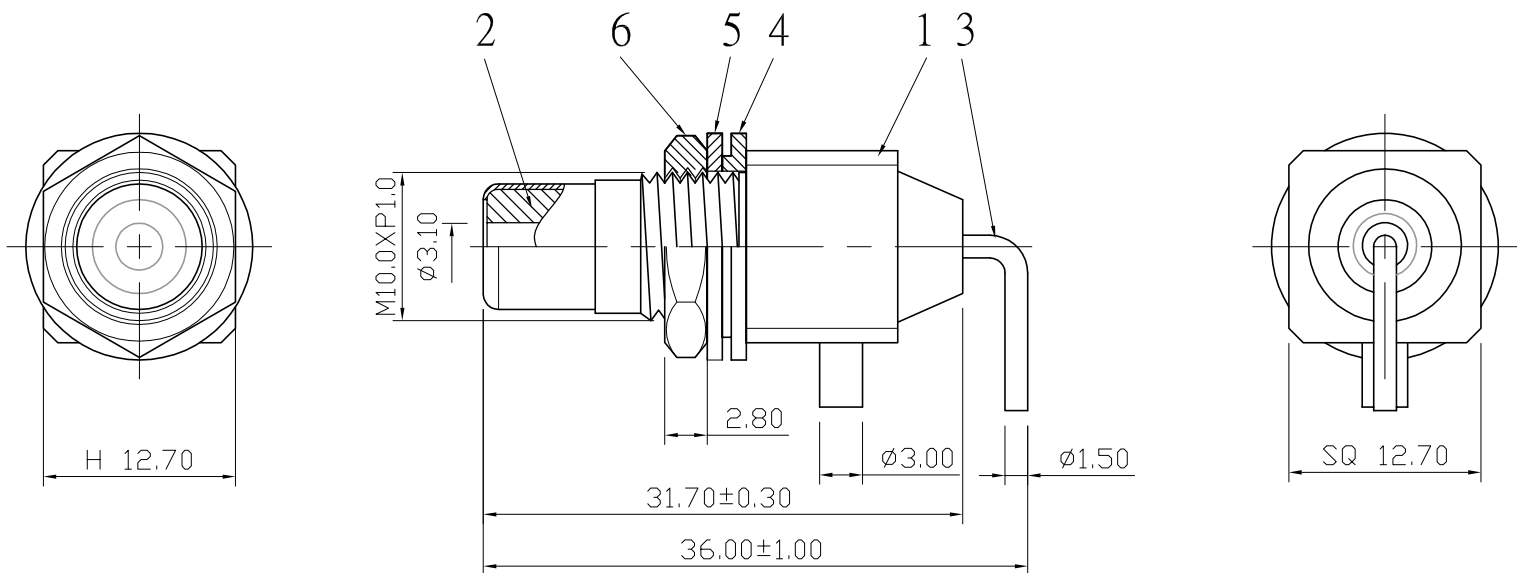
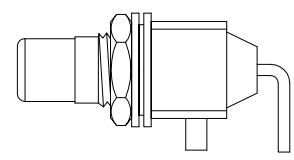
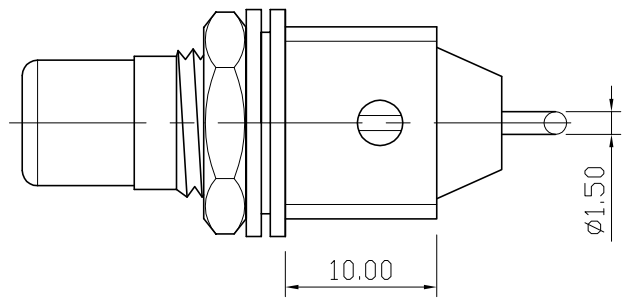


No.	DATE	DESCRIPTION	REV
△	2009. 10. 14	Drawing to renew 圖面更新	A


REMARK : RoHS REQUIREMENT APPLIED
(符合RoHS)



P.C.B. LAYOUT
(印刷電路板配置)



S 1 : 1

7						DIMENSIONS ARE IN MILLIMETERS UNLESS OTHERWISE SPECIFIED TOLERANCES (一般公差) 0.5~6 = ±0.2 >6~30 = ±0.4 >30~120 = ±0.6 >120~315 = ±1 >315~1000 = ±1.6 ANGLES(角度) = ±5°	CHECKED	 雅鈦企業有限公司 Aec Connectors Co., Ltd.		
6	nut	1	brass	gold			DRAWN		TITLE	
5	washer	1	plastic	red/black/white			<i>Jim</i>		RCA JACK	
4	washer	1	plastic	red/black/white				DRAWING NO.		
3	contact pin	1	brass	gold				RJ-203GG-TEF-RD/BK/WE		
2	insulator	1	PTFE	white				FILE NO.		
1	body	1	brass	gold			DATE	DRAWING\AUDIO\RJRJ-203GG-TEF-RD/BK/WE		
NO.	Description	Unit	Materials	Finish	Drawing No.	SCALE	2 : 1	UNIT	MM	2007. 12. 28