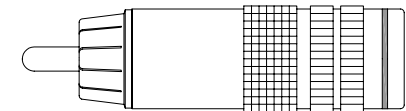
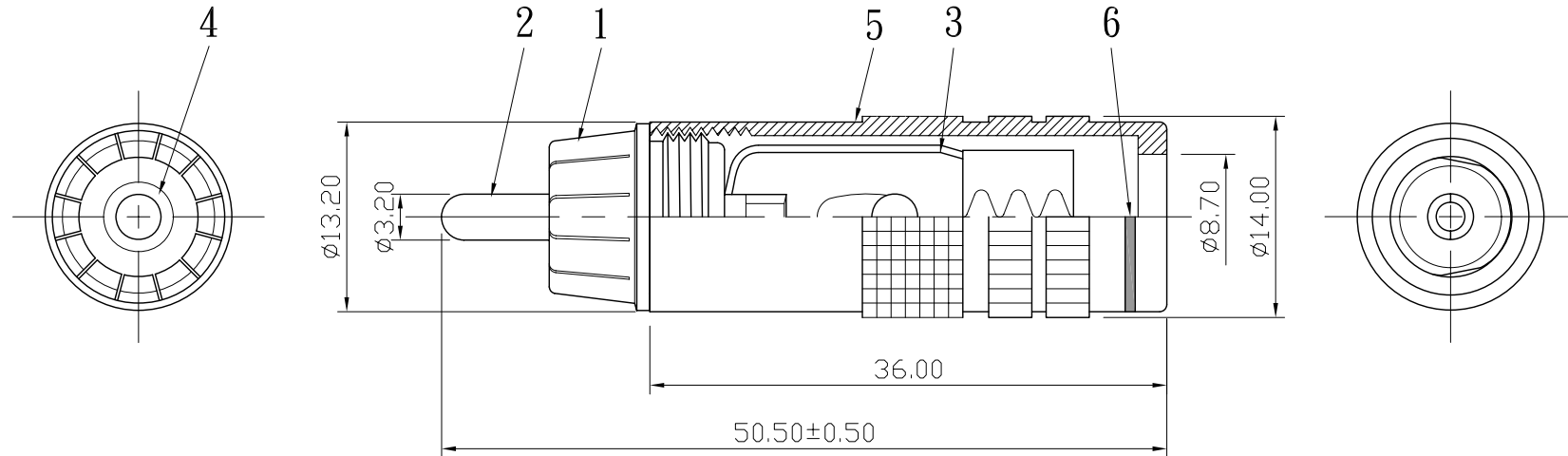



REMARK : RoHS REQUIREMENT APPLIED
(符合RoHS)



S 1 : 1

NO.	Description	Unit	Materials	Finish	Drawing No.	SCALE	2 : 1	UNIT	MM	
7						DIMENSIONS ARE IN MILLIMETERS UNLESS OTHERWISE SPECIFIED TOLERANCES (一般公差) 0.5~6 = ±0.2 >6~30 = ±0.4 >30~120 = ±0.6 >120~315 = ±1 >315~1000 = ±1.6 ANGLES(角度) = ±5°			APPROVED	 雅鈦企業有限公司 Aec Connectors Co., Ltd.
6	color ring	1	PVC	red/black/blue white/yellow/green	CHECKED				TITLE	
5	shell	1	brass	black plated	DRAWN				DRAWING NO.	RP-1122BPG-ABS-A-RD/BK/BE/WE/YW/GN-8.7
4	insulator	1	ABS	white	<i>Lala</i>				FILE NO.	DRAWING\AUDIO\RP-1122BPG-ABS-A-RD/BK/BE/WE/YW/GN-8.7
3	clip	1	brass	gold	DATE					
2	contact pin	1	brass	gold	2007. 08. 21					
1	body	1	brass	gold						