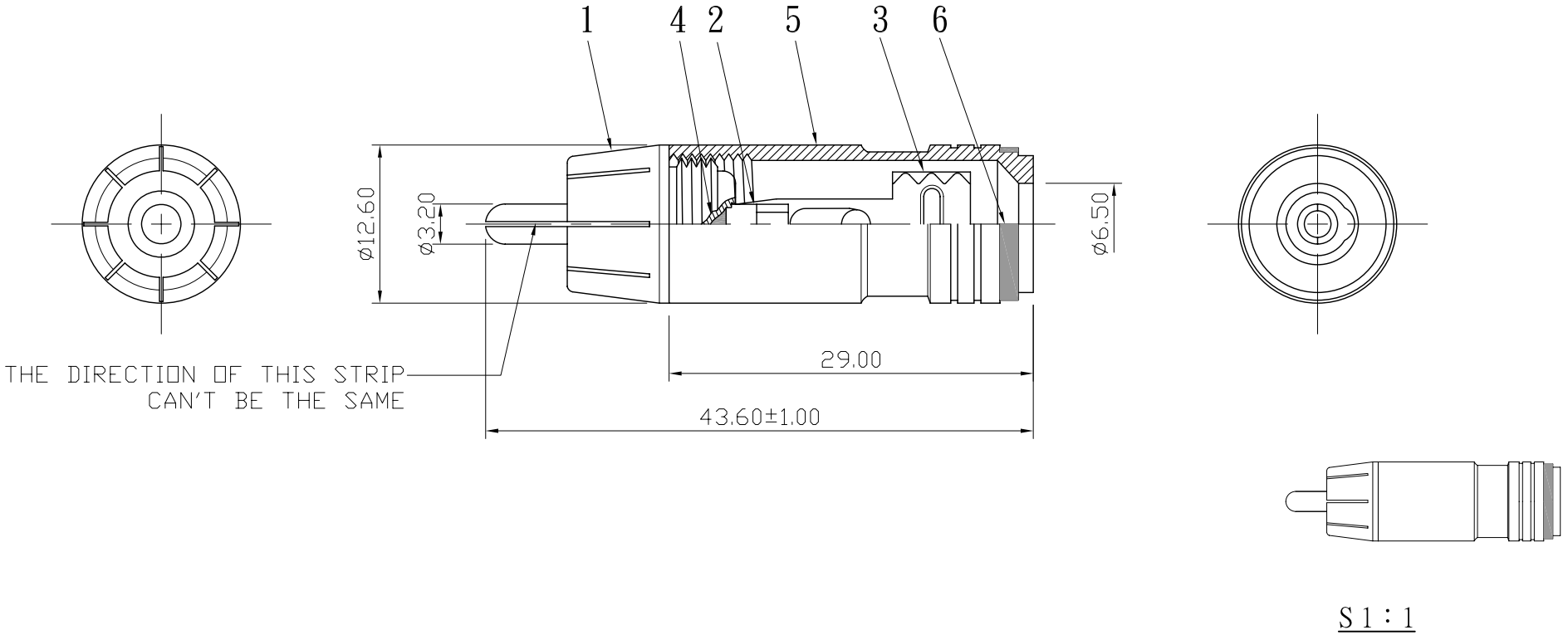



REMARK : RoHS REQUIREMENT APPLIED  
(符合RoHS)



7						DIMENSIONS ARE IN MILLIMETERS  UNLESS OTHERWISE SPECIFIED TOLERANCES (一般公差) 0.5~6 = ±0.2 >6~30 = ±0.4 >30~120 = ±0.6 >120~315 = ±1 >315~1000 = ±1.6 ANGLES(角度) = ±5°	APPROVED	 雅鈦企業有限公司 Aec Connectors Co., Ltd.	
6	color ring	1	aluminum	anodic treatment blue/black/gold/silver			CHECKED		TITLE
5	shell	1	brass	matte black coated				RCA PLUG	
4	insulator	1	ABS	red/black			DRAWN	DRAWING NO.	
3	clip	1	brass	gold			<i>Otis</i>	RP-1143MBCG-ABS-A-BK/RD-6.5	
2	contact pin	1	brass	gold			DATE	FILE NO.	
1	body	1	brass	gold			2008. 04. 22	DRAWING\AUDIO\RP-1143MBCG-ABS-A-BK/RD-6.5	
NO.	Description	Unit	Materials	Finish	Drawing No.	SCALE	2 : 1	UNIT	MM